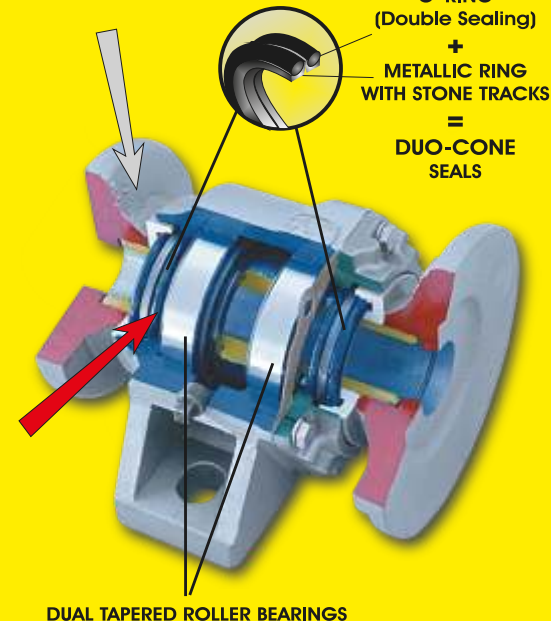


The duo-cone seals on **TATU DURO MARK** Oil Bath Bearing Assemblies are the same used on heavy equipments, which operate under the most adverse conditions.

These seals require oil instead grease for lubrication. As result the user has less maintenance.

RUGGEDLY BUILT FOR LONGER LIFE

Warranted by the largest Agricultural Implements and Machinery manufacturer in the South Hemisphere.



DUAL TAPERED ROLLER BEARINGS

USE THE TATU OIL BATH BEARINGS



FOR LONGER LIFE OF YOUR HARROW.

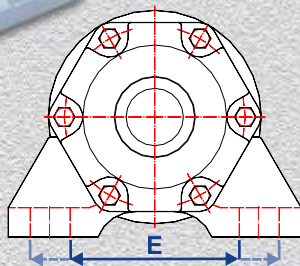


CHART OF DIMENSIONS

| | A | B | C | D | E |
|----------|-----|-----|-----|-------------------|------------|
| DM 182,0 | 182 | 122 | 112 | 1.1/4" and 1.1/2" | 87 to 137 |
| DM 182,0 | 182 | 122 | 112 | ∅1" | 87 to 137 |
| DM 192,5 | 192 | 130 | 122 | 1.1/4" and 1.1/2" | 87 to 137 |
| DM 192,5 | 192 | 130 | 122 | ∅1" | 87 to 137 |
| DM 225,0 | 225 | 140 | 130 | 1.1/4" and 1.1/2" | 87 to 137 |
| DM 225,0 | 225 | 180 | 160 | 1.5/8" and 1.3/4" | 118 to 178 |
| DM 243,0 | 243 | 180 | 160 | 1.5/8" and 1.3/4" | 118 to 178 |
| DM 262,0 | 262 | 180 | 160 | 1.5/8" and 1.3/4" | 118 to 178 |
| DM 330,0 | 330 | 230 | 200 | 2.1/8" | 155 to 225 |
| DM 430,0 | 430 | 230 | 230 | 2.1/2" | 232 to 332 |



MARCHESAN

MARCHESAN - TATU PRODUCTS
Av. Marchesan, 1979 - P.O. Box 131
ZIP 15994-900 - Matão - SP - Brazil
Fone: (55) 16 3382.8282
Fax: (55) 16 3382.1003

www.marchesan.com.br
email: tatu@marchesan.com.br

08/2013 - Edition 04

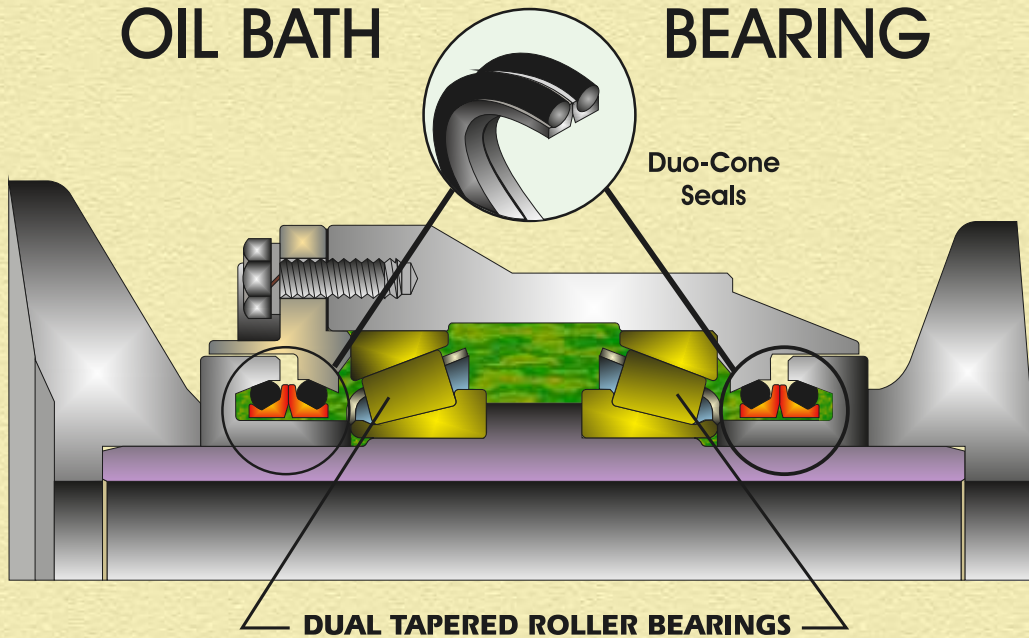


MARCHESAN

*OTHER CONFIGURATIONS AVAILABLE UPON REQUEST

**ALSO, AVAILABLE IN GREASEABLE.

The TATU DURO MARK Oil Bath Bearing Assemblies are part of the history of our Disk Harrows. Since the first harrow assembled with these components in 1984 and nowadays, the quality remains the same. On replacement looks for the same quality.



Be acquainted with the high technology applied to the TATU oil bath bearing assemblies used as components for the disk harrows and levee terracing plows.

Performance and durability of the bearings depend basically of two factors:

- 1° - Capacity to support loads in two ways: radial and axial;
- 2° - Ability to keep out foreign material to get into the bearing, causing fast wearing.

In order to comply with the first requisite are used TAPERED ROLLER BEARINGS, indicate due to its ability to absorb loads in two ways.

For last it is important to mention using of DUO-CONE SEALS, composed by two o'rings and two metallic rings with stone tracks to keep the oil sealing on axial way, the most reliable for heavy equipments like drive wheel of the Caterpillar crawler tractor that use the same system.

USE THE TATU OIL BATH BEARINGS



FOR LONGER LIFE OF YOUR HARROW.

- High quality of the components.
- For longer life.

- Less maintenance.
- Do not cost, it is worth it.